

2

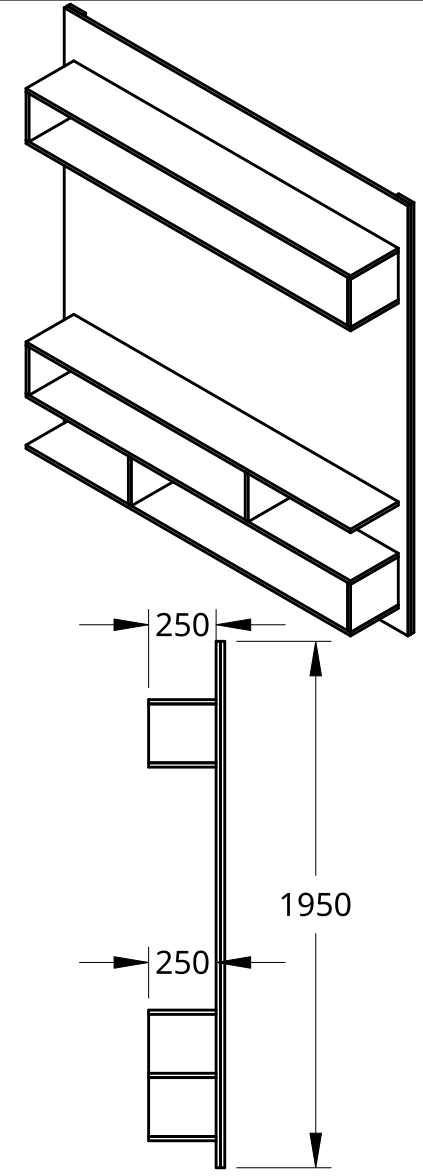
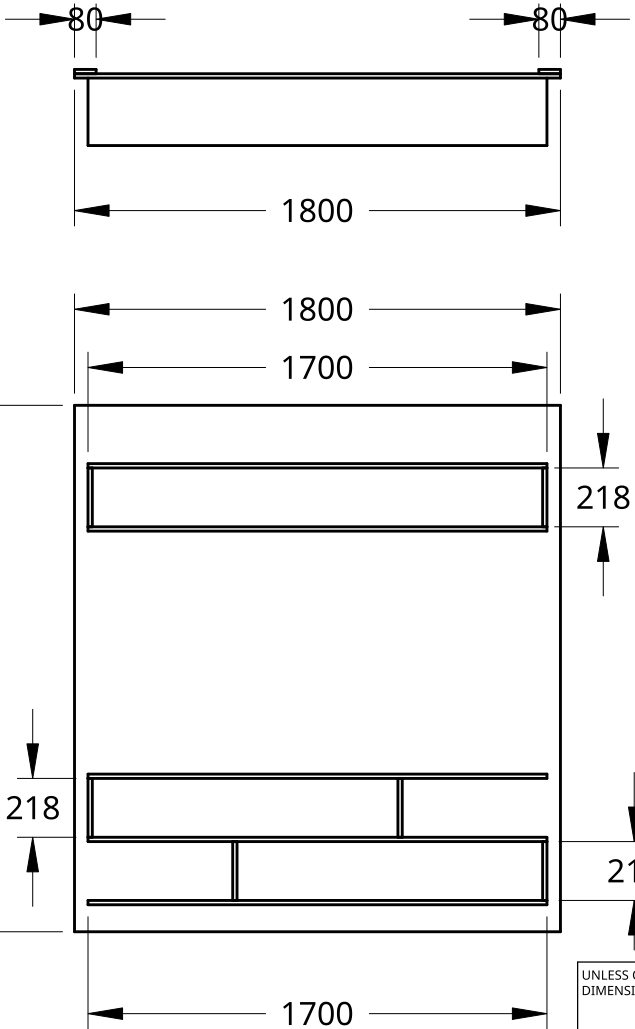
1

B

B

A

A



UNLESS OTHERWISE SPECIFIED, DIMENSIONS ARE IN MILLIMETERS		NAME	DATE		
ANGULAR = ± °		DRAWN	NATHAN BERRANGE	01/06/2024	
SURFACE FINISH		CHECKED			TITLE
DO NOT SCALE DRAWING		APPROVED			TV Wall Unit
BREAK ALL SHARP EDGES AND REMOVE BURRS					
THIRD ANGLE PROJECTION		MATERIAL	FINISH		SIZE
					A
					DWG NO.
					REV.
					SCALE
					1:28
					WEIGHT
					SHEET
					1 of 1

2

1